

The Scala CA2-FM is a ruggedly built, dipole reflector antenna, designed for professional FM transmit and receive applications.

Like all Scala antennas, the CA2-FM is made of the finest materials using state of the art electrical and mechanical designs resulting in superior performance and long service life.

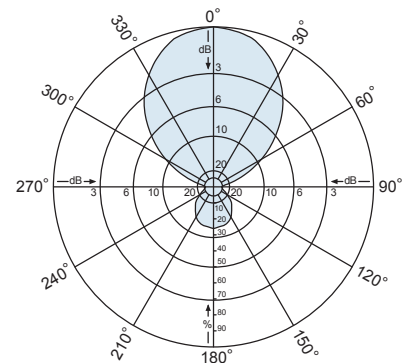
The CA2-FM may be used stand alone or in stacked arrays for higher gain, increased side-lobe suppression, or custom azimuth patterns.



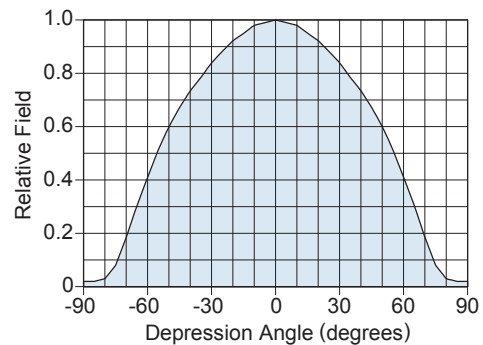
Shown horizontally polarized

Specifications	
Frequency range	Any specified FM channel 88 to 108 MHz
Gain	4 dBd
Power gain	2.51
Impedance	50 ohms
VSWR	<1.5:1
Polarization	Horizontal or Vertical
Front-to-back ratio	>11 dB
Maximum input power	250 watts
H-plane beamwidth	80 degrees (half-power)
E-plane beamwidth	72 degrees (half-power)
Connector	N female
Weight	5.7 lb (2.6 kg)
Dimensions	35.3 x 68.9 inches maximum (897 x 1750 mm)
Wind load at 100 mph (161 kph)	
Front	67 lbf (298 N)
Wind survival rating*	120 mph (193 kph)
Shipping dimensions	70 x 6 x 5 inches maximum (1778 x 152 x 127mm)
Shipping weight	10 lb (4.5 kg) maximum
Mounting	For masts of 2.375 inch (60 mm) OD.

*Mechanical design is based on environmental conditions as stipulated in TIA-222-G-2 (December 2009) and/or ETS 300 019-1-4 which include the static mechanical load imposed on an antenna by wind at maximum velocity. Contact KBU for further details.



E-plane
Horizontal pattern — H-polarization
Vertical pattern — V-polarization

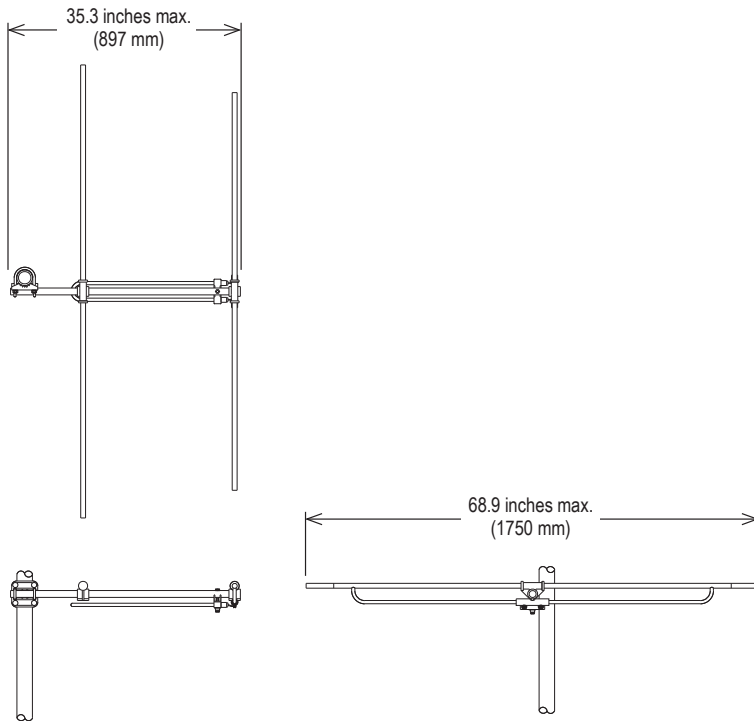


(H-plane)
Horizontal pattern — V-polarization
Vertical pattern — H-polarization



A Kathrein Broadcast Brand

CA2-FM FM Dipole Reflector Antenna 88—108 MHz



Shown horizontally polarized

30051a subject to alteration

All specifications are subject to change without notice.
The latest specifications are available at www.kathrein-bca.com

Kathrein Broadcast USA 8337 11th Street, White City, OR 97503
Phone: 541-879-2300 Email: support-usa@kathrein-bca.com