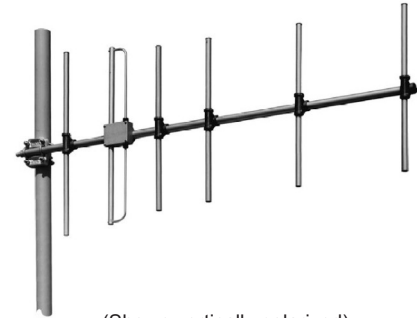


The KBU CA6-220 and CA6-230 six-element broadband yagi antennas are intended for use in professional fixed-station applications in the 216—225 and 225—230 MHz bands. They feature:

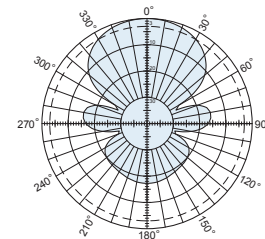
- Balanced driven element for superior performance in icing conditions.
- Sealed one-piece element with internal coax balun.
- Heavy wall anodized aluminum pipe and tubing.
- Heavy cast aluminum and stainless steel hardware.
- Entire antenna at DC ground potential.



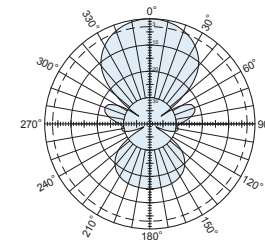
(Shown vertically polarized)

Specifications	
Frequency range	CA6-220 216—225 MHz CA6-230 225—230 MHz
Gain	11 dBi
Impedance	50 ohms
VSWR	<1.5:1 maximum
Polarization	Horizontal or vertical
Front-to-back ratio	>17 dB
Maximum input power	500 watts
H-plane beamwidth	60 degrees (half-power)
E-plane beamwidth	44 degrees (half-power)
Connector	N female
Weight	8 lb (3.7 kg)
Dimensions	65 x 27 inches (1651 x 686 mm)
Wind load at 93 mph (150 kph)	
Front	41 lbf (182 N)
Wind survival rating*	140 mph (225 kph)
Shipping dimensions	66 x 28 x 5 inches (1676 x 711 x 127 mm)
Shipping weight	17 lb (7.7 kg)
Mounting	For masts of 2.375 inches (60mm) OD.

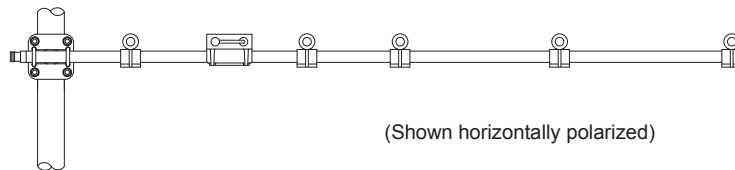
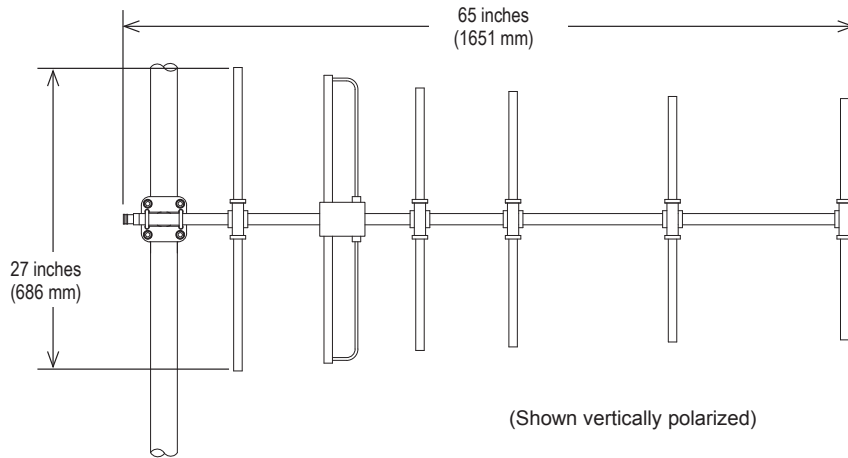
*Mechanical design is based on environmental conditions as stipulated in TIA-222-G-2 (December 2009) and/or ETS 300 019-1-4 which include the static mechanical load imposed on an antenna by wind at maximum velocity. Contact KBU for further details.



H-plane
Horizontal pattern — V-polarization
Vertical pattern — H-polarization



E-plane
Horizontal pattern — H-polarization
Vertical pattern — V-polarization



Order information

Model	Description
CA6-220	216—225 MHz Yagi antenna
CA6-230	225—230 MHz Yagi antenna