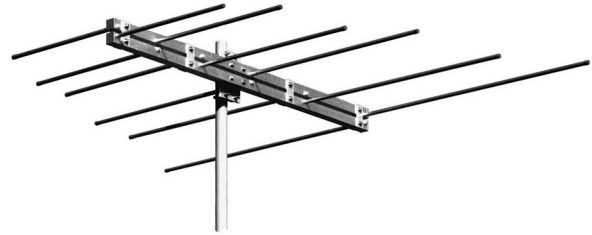


The Scala CL-46 is a ruggedly built, horizontally polarized log-periodic antenna, designed for professional VHF-TV transmit and receive applications.

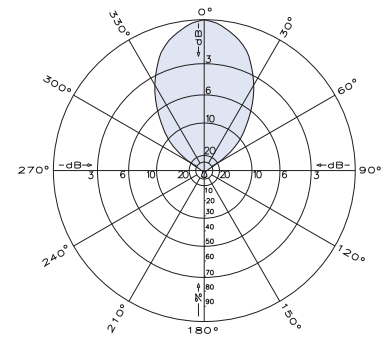
Like all Scala antennas, the CL-46 is made of the finest materials using state of the art electrical and mechanical designs resulting in superior performance and long service life

The CL-46 may be used stand alone or in stacked arrays for higher gain, increased side-lobe suppression, or custom azimuth patterns.



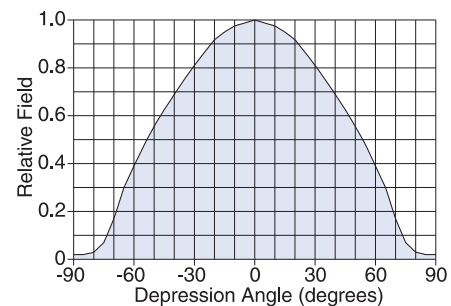
Specifications	
Frequency range	66—88 MHz (broadband)
Gain	8.2 dBd
Power gain	6.61
Impedance	50 or 75 ohms
VSWR	<1.5:1
Polarization	Horizontal
Front-to-back ratio	>25 dB
Maximum input power	250 watts, 75Ω N female connector 500 watts, 50Ω N female connector 1000 watts, 50Ω 7-16 DIN female connector
H-plane beamwidth	76 degrees (half-power)
E-plane beamwidth	54 degrees (half-power)
Connector	N female (50 or 75 ohms) or 7-16 DIN female
Wind load at 100 mph (161 kph)	
Front	135 lbf (597 N)
Wind survival rating*	120 mph (193 kph)
Mounting	For masts of 2.375 inch (60 mm) OD.
CL-46/HCM	Center-mount
CL-46/HRM	Rear-mount

\*Mechanical design is based on environmental conditions as stipulated in TIA-222-G-2 (December 2009) and/or ETS 300 019-1-4 which include the static mechanical load imposed on an antenna by wind at maximum velocity. Contact KBU for further details.

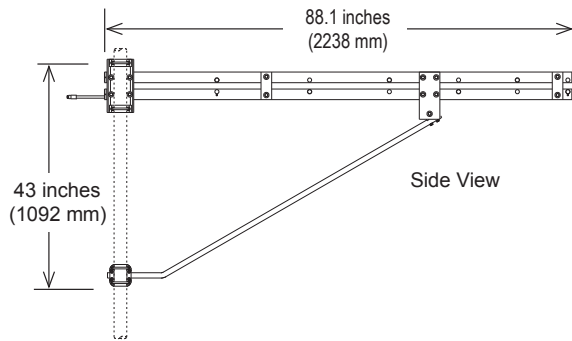
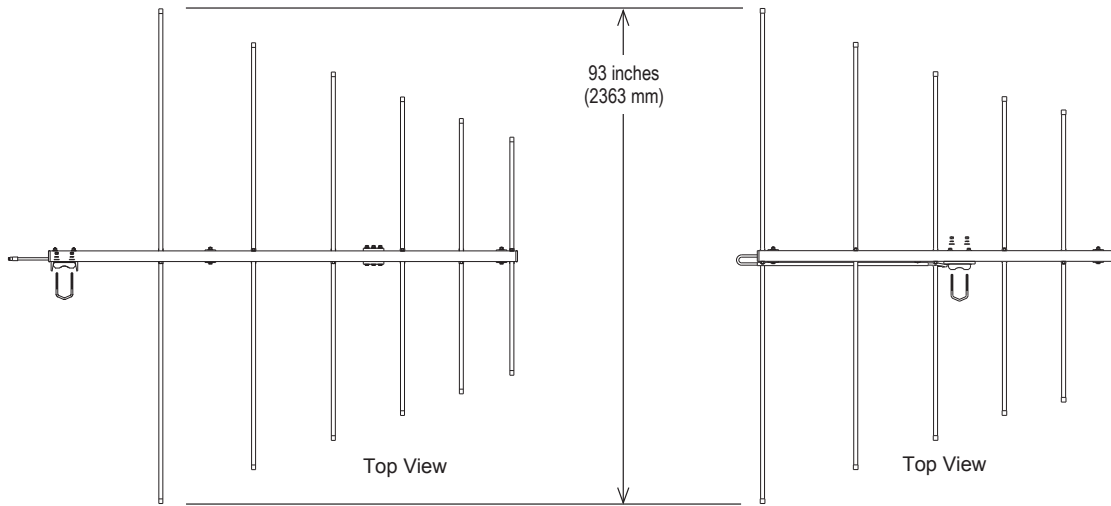


Azimuth pattern (E-plane)

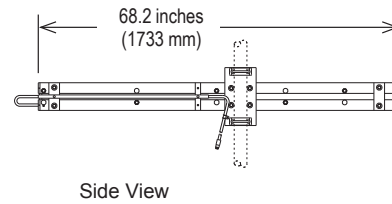
	CL-46/HCM	CL-46/HRM
Weight	29 lb (13.2 kg)	35 lb (15.9 kg)
Dimensions	93 x 68.2 x 9.9 inches (2363 x 1733 x 252 mm)	93 x 88.1 x 43 inches (2363 x 2238 x 1092 mm)
Shipping dimensions	84 x 10 x 6 inches (2134 x 254 x 153 mm)	99 x 14 x 6 inches (2515 x 356 x 153 mm)
Shipping weight	36 lb (16.3 kg)	72 lb (32.7 kg)



Elevation pattern (H-plane)



**CL-46/HRM**



**CL-46/HCM**

**Order information**

Model	Description
CL-46/HCM/50N	Antenna with 50Ω N connector Horizontal polarization center-mount
CL-46/HCM/75N	Antenna with 75Ω N connector Horizontal polarization center-mount
CL-46/HRM/50N	Antenna with 50Ω N connector Horizontal polarization rear-mount
CL-46/HRM/50D	Antenna with 50Ω 7-16 DIN connector Horizontal polarization rear-mount
CL-46/HRM/75N	Antenna with 75Ω N connector Horizontal polarization rear-mount

30072b subject to alteration