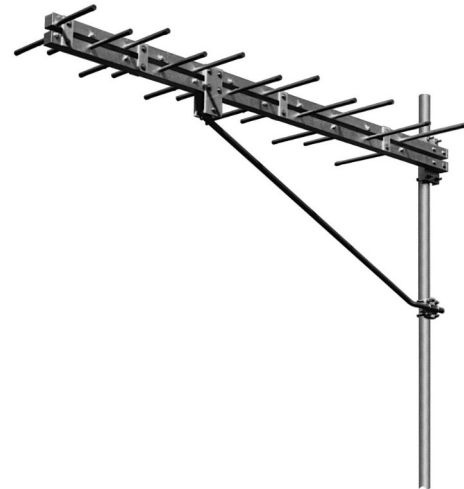


The Scala CL-713 is a ruggedly built, horizontally polarized log-periodic antenna, designed for professional VHF-TV transmit and receive applications.

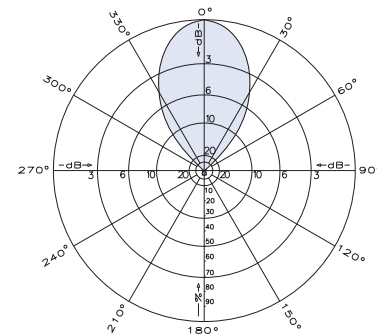
Like all Scala antennas, the CL-713 is made of the finest materials using state of the art electrical and mechanical designs resulting in superior performance and long service life.

The CL-713 may be used stand alone or in stacked arrays for higher gain, increased side-lobe suppression, or custom azimuth patterns.



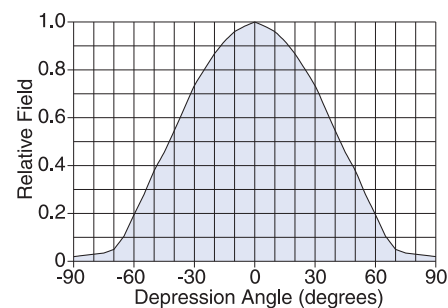
Specifications	
Frequency range	174—216 MHz (broadband)
Gain	9 dBd
Power gain	7.84
Impedance	50 or 75 ohms
VSWR	<1.5:1
Polarization	Horizontal
Front-to-back ratio	>25 dB
Maximum input power	250 Watts, 50Ω or 75Ω N female connector 500 Watts, 50Ω 7-16 DIN female connector
H-plane beamwidth	62 degrees (half-power)
E-plane beamwidth	50 degrees (half-power)
Connector	N female (50Ω or 75Ω) 7-16 DIN female (50Ω)
Wind load at 100 mph (161 kph)	
Front	121 lbf (537 N)
Wind survival rating*	120 mph (193 kph)
Mounting	For masts of 2.375 inch (60 mm) OD.
CL-713/HCM	Center-mount
CL-713/HRM	Rear-mount

\*Mechanical design is based on environmental conditions as stipulated in TIA-222-G-2 (December 2009) and/or ETS 300 019-1-4 which include the static mechanical load imposed on an antenna by wind at maximum velocity. Contact KBU for further details.

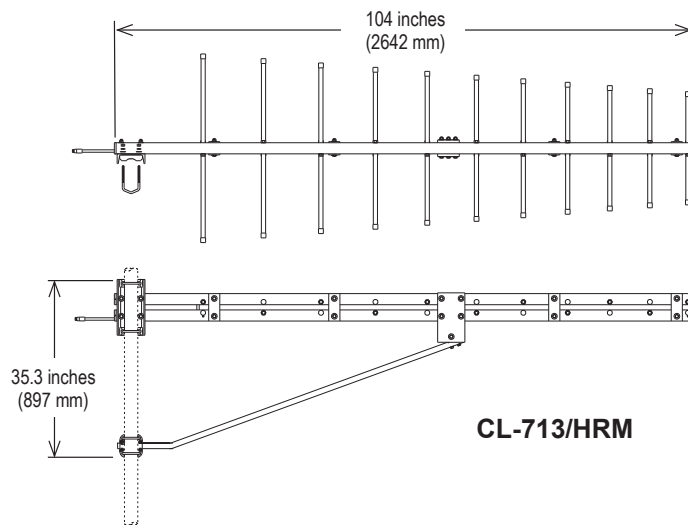
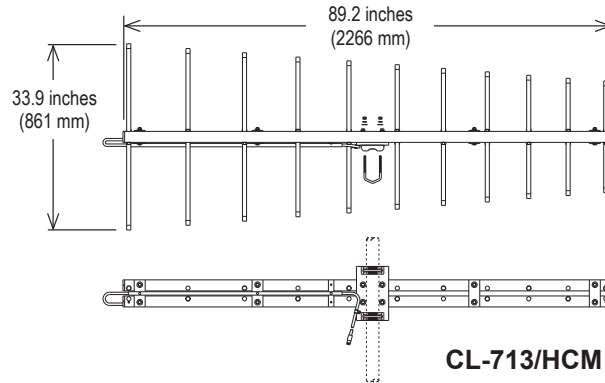


Azimuth pattern (E-plane)

	CL-713/HCM	CL-713/HRM
Weight	28.5 lb (12.9 kg)	40 lb (18.2 kg)
Dimensions	89.2 x 33.9 x 9.9 inches (2266 x 862 x 252 mm)	104 x 33.9 x 35.3 inches (2642 x 861 x 897 mm)
Shipping dimensions	95 x 10 x 6 inches (2413 x 254 x 153 mm)	112 x 14 x 6 inches (2845 x 356 x 153 mm)
Shipping weight	42 lb (19.1 kg)	79 lb (35.9 kg)



Elevation pattern (H-plane)



#### Order information

Model	Description
CL-713/HCM/50N	Center-mount antenna with 50Ω N connector
CL-713/HCM/75N	Center-mount antenna with 75Ω N connector
CL-713/HRM/50N	Rear-mount antenna with 50Ω N connector
CL-713/HRM/50D	Rear-mount antenna with 50Ω 7-16 connector
CL-713/HRM/75N	Rear-mount antenna with 75Ω N connector

30073e subject to alteration