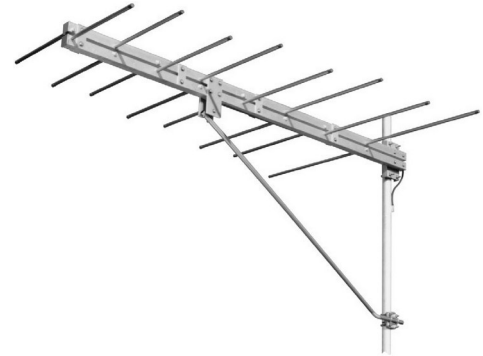


The Scala CL-FM is a ruggedly built, log-periodic antenna, designed for professional FM transmit and receive applications.

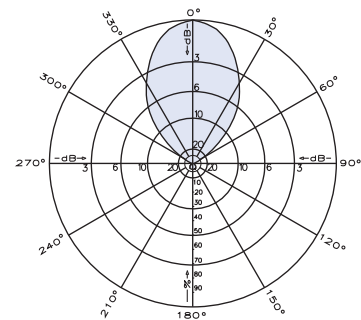
Like all Scala antennas, the CL-FM is made of the finest materials using state of the art electrical and mechanical designs resulting in superior performance and long service life.

The CL-FM may be used stand alone or in stacked arrays for higher gain, increased side-lobe suppression, or custom azimuth patterns.

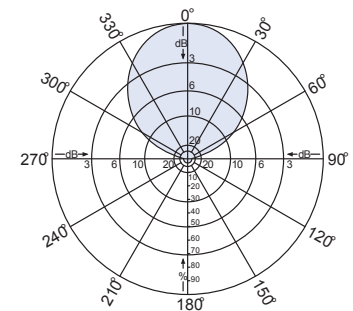


Specifications	
Frequency range	88—108 MHz (broadband)
Gain:	H-pol or V-pol 7 dBd Slant 45° pol 4 dBd (H or V components)
Power gain:	H-pol or V-pol 5.01 Slant 45° pol 2.51 (H or V components)
Impedance	50 or 75 ohms
VSWR	<1.5:1
Polarization	Horizontal, vertical or slant 45°
Front-to-back ratio	>25 dB
Maximum input power	250 watts, type "N" 75 ohm connector 500 watts, type "N" 50 ohm connector 1000 watts, type 7-16 DIN 50 ohm connector
HRP beamwidth	78 degrees (half power, V-pol) 52 degrees (half-power, H-pol) 58 degrees (half-power, slant 45° pol)
Connector	N female (50 or 75 ohms) or 7-16 DIN
Weight	50 lb (22.7 kg)
Dimensions	105 x 67.9 inches (2667 x 1725 mm)
Wind load at 100 mph (161 kph)	Front: 138 lbf (614 N)
Wind survival rating*	120 mph (193 kph)
Shipping dimensions	116 x 14.5 x 6 inches (2946 x 369 x 153 mm)
VRM and SRM	122 x 16 x 15 inches (3099 x 407 x 381 mm)
Shipping weight	56 lb (25.4 kg)
VRM and SRM	156 lb (70.8 kg)
Mounting	For masts of 2.375 inch (60 mm) OD.
CL-FM/HCM	Horizontal polarization center-mount
CL-FM/HRM	Horizontal polarization rear-mount
CL-FM/VRM	Vertical polarization rear-mount
CL-FM/SRM	Slant 45° polarization rear-mount

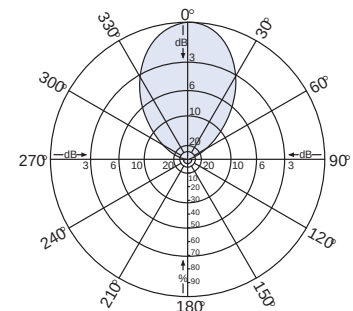
\*Mechanical design is based on environmental conditions as stipulated in TIA-222-G-2 (December 2009) and/or ETS 300 019-1-4 which include the static mechanical load imposed on an antenna by wind at maximum velocity. Contact KBU for further details.



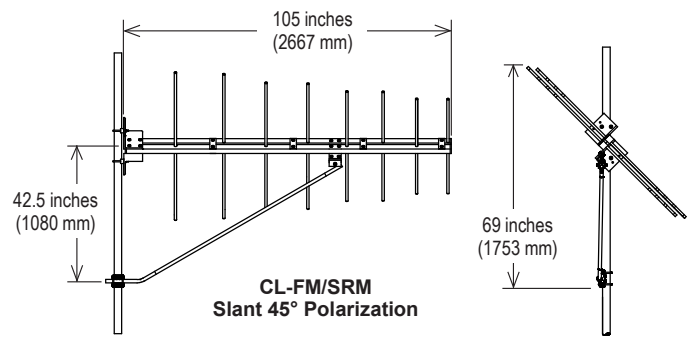
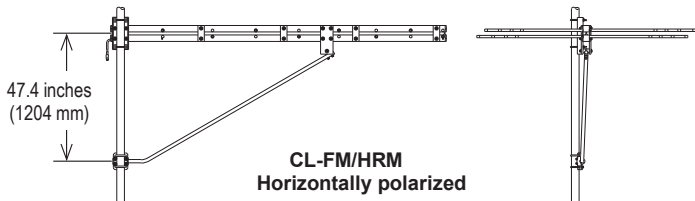
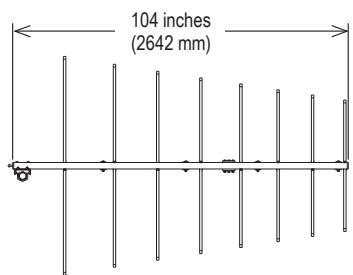
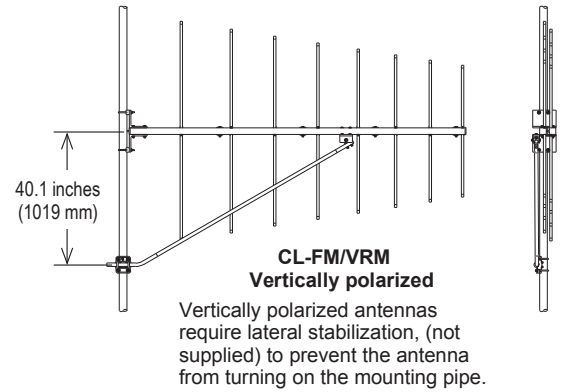
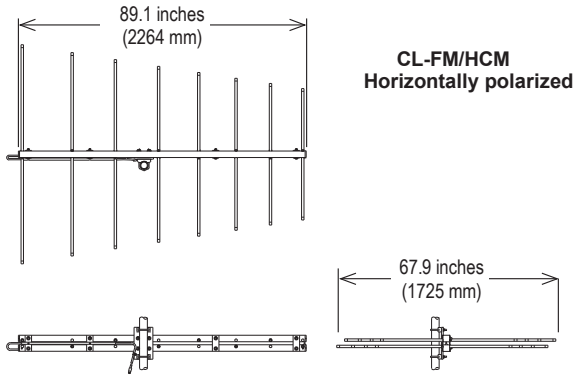
HRP pattern  
Horizontal polarization



HRP pattern  
Vertical polarization



HRP pattern  
Slant 45° polarization



30054d subject to alteration

**Order information**

Model	Description
CL-FM/HCM/50N	Antenna with 50Ω N connector Horizontal polarization center-mount
CL-FM/HCM/75N	Antenna with 75Ω N connector Horizontal polarization center-mount
CL-FM/HRM/50N	Antenna with 50Ω N connector Horizontal polarization rear-mount
CL-FM/HRM/50D	Antenna with 50Ω 7-16 DIN connector Horizontal polarization rear-mount
CL-FM/HRM/75N	Antenna with 75Ω N connector Horizontal polarization rear-mount
CL-FM/VRM/50N	Antenna with 50Ω N connector Vertical polarization rear-mount
CL-FM/VRM/50D	Antenna with 50Ω 7-16 DIN connector Vertical polarization rear-mount
CL-FM/SRM/50N	Antenna with 50Ω N connector Slant 45° polarization rear-mount
CL-FM/SRM/50D	Antenna with 50Ω 7-16 DIN connector Slant 45° polarization rear-mount