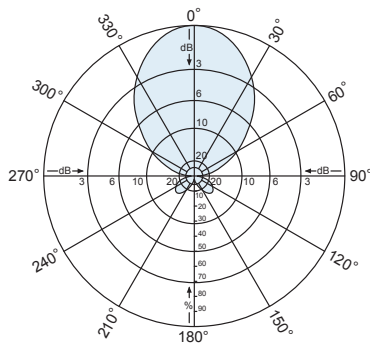


Scala DRV panel antennas for VHF television transmission offer high performance, low VSWR, and application flexibility. Multi-panel arrays can be utilized to provide the standard patterns shown below and custom patterns for specific coverage requirements. Arrays include power dividers and coax feeders, plus installation hardware.

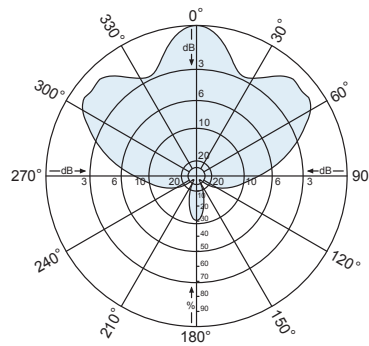
Like all Scala antennas, the DRV is made of the finest materials using state of the art electrical and mechanical designs, resulting in superior performance and long service life.



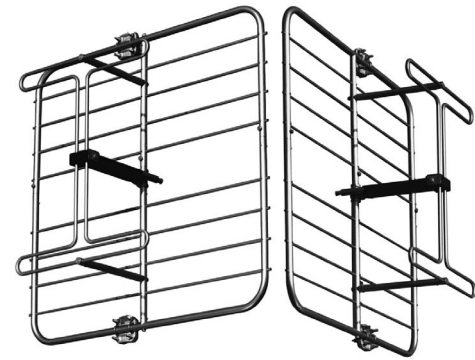
(Shown horizontally polarized)



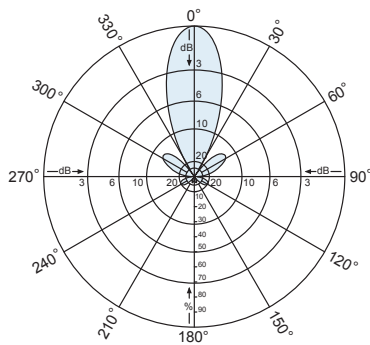
/1 series
Azimuth pattern (E-plane)



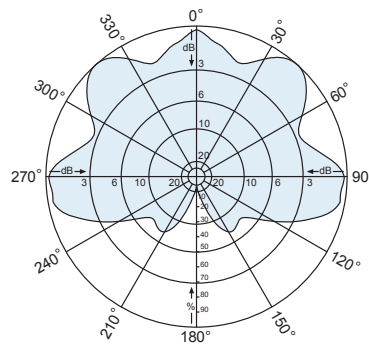
/2HW series
Azimuth pattern (E-plane)



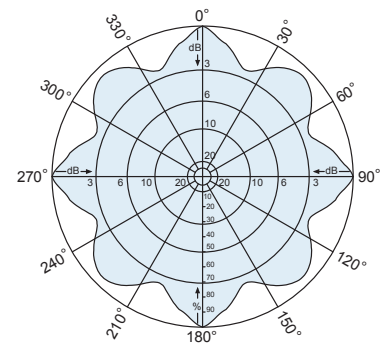
DRV-1/2HW array



/2HN series
Azimuth pattern (E-plane)



/3HC series
Azimuth pattern (E-plane)



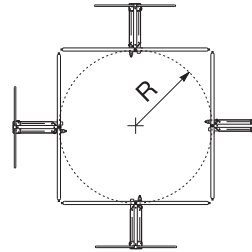
/4HO series
Azimuth pattern (E-plane)

30074a subject to alteration

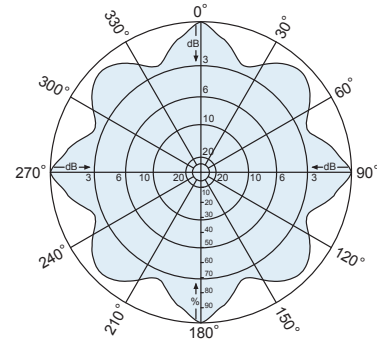
All specifications are subject to change without notice.
The latest specifications are available at www.kathrein-bca.com

Panel antennas are designed so that their azimuth patterns achieve optimum smoothness when mounted as closely together as possible. Larger mounting radii produce undesirable scalloping.

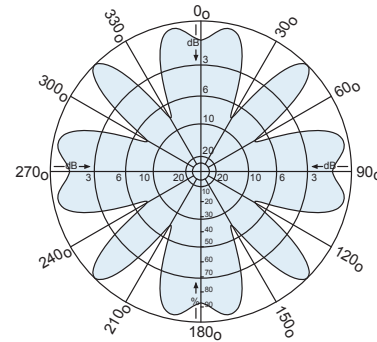
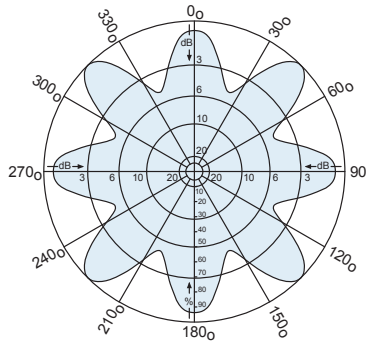
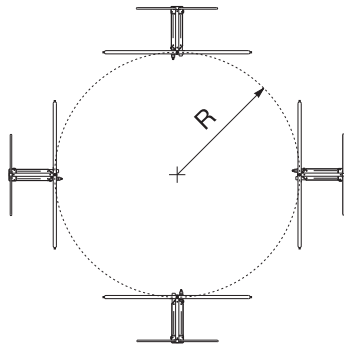
Optimum



R = 25 inches (635 mm)



Scalloped



Specifications

Model	Gain dBd	Power Gain	Weight lb (kg)	Dimensions	Number of Panels	Number of Bays
DRV-1/1	7	5.01	18 (8.2)	52 x 48 x 18 inches (1321 x 1219 x 457 mm)	1	1
DRV-2/1	10.4	10.96	36 (16.4)	115 x 48 x 18 inches (2921 x 1219 x 457 mm)	2	2
DRV-4/1	13.4	21.88	72 (32.8)	241 x 48 x 18 inches (6121 x 1219 x 457 mm)	4	4
DRV-1/2HN	10	10	36 (16.4)	52 x 100 x 18 inches (1321 x 2540 x 457 mm)	2	1
DRV-2/2HN	13.4	21.88	72 (32.8)	115 x 100 x 18 inches (2921 x 2540 x 457 mm)	4	2
DRV-4/2HN	16.4	43.65	144 (65.6)	241 x 100 x 18 inches (6121 x 2540 x 457 mm)	8	4
DRV-1/2HW	4.5	2.82	36 (16.4)	52 x 70 x 70 inches (1321 x 1778 x 1778 mm)	2	1
DRV-2/2HW	7.9	6.17	72 (32.8)	115 x 70 x 70 inches (2921 x 1778 x 1778 mm)	4	2
DRV-4/2HW	10.9	12.3	144 (65.6)	241 x 70 x 70 inches (6121 x 1778 x 1778 mm)	8	4
DRV-1/3HC	2.5	1.78	54 (24.6)	52 x 88 x 70 inches (1321 x 2235 x 1778 mm)	3	1
DRV-2/3HC	5.9	3.89	108 (49.2)	115 x 88 x 70 inches (2921 x 2235 x 1778 mm)	6	2
DRV-4/3HC	8.9	7.76	216 (98.4)	241 x 88 x 70 inches (6121 x 2235 x 1778 mm)	12	4
DRV-1/4HO	1	1.26	72 (32.8)	52 x 88 x 88 inches (1321 x 2235 x 2235 mm)	4	1
DRV-2/4HO	4.4	2.75	144 (65.6)	115 x 88 x 88 inches (2921 x 2235 x 2235 mm)	8	2
DRV-4/4HO	7.4	5.5	288 (131)	241 x 88 x 88 inches (6121 x 2235 x 2235 mm)	16	4

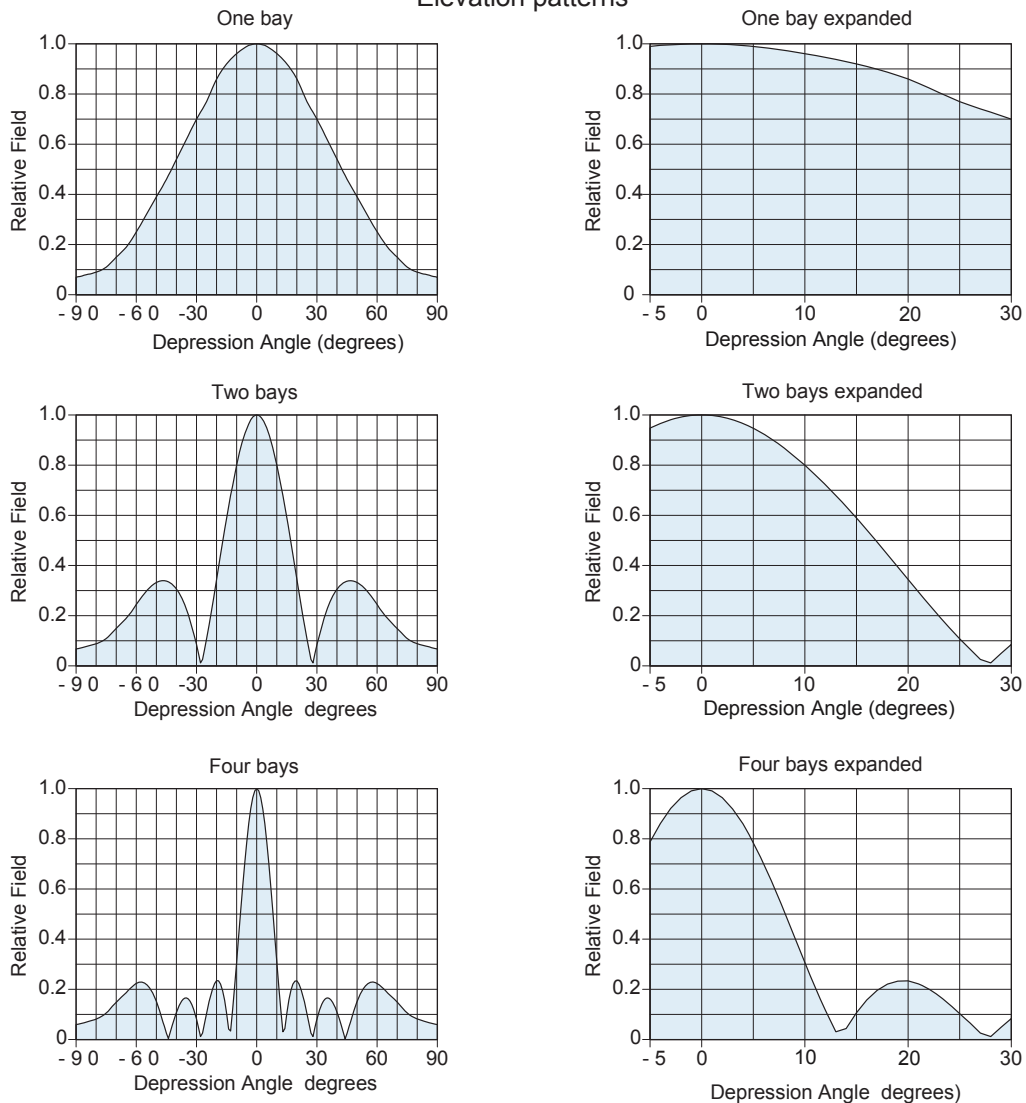
30074a subject to alteration

General Specifications

Frequency	174—230 MHz (broadband)
Impedance	50 ohms
VSWR	<1.2:1
Polarization	Horizontal or vertical
Maximum input power	500 watts per panel (at 50° C)
Connector	N female
Wind load at 100 mph (161 kph)	
Front	93 lbf (414 N)
Wind survival rating*	120 mph (193 kph)
Mounting	Hardware is included for attachment to masts of 2.375 inch (60 mm) OD. Contact KBU Customer service for additional mounting options

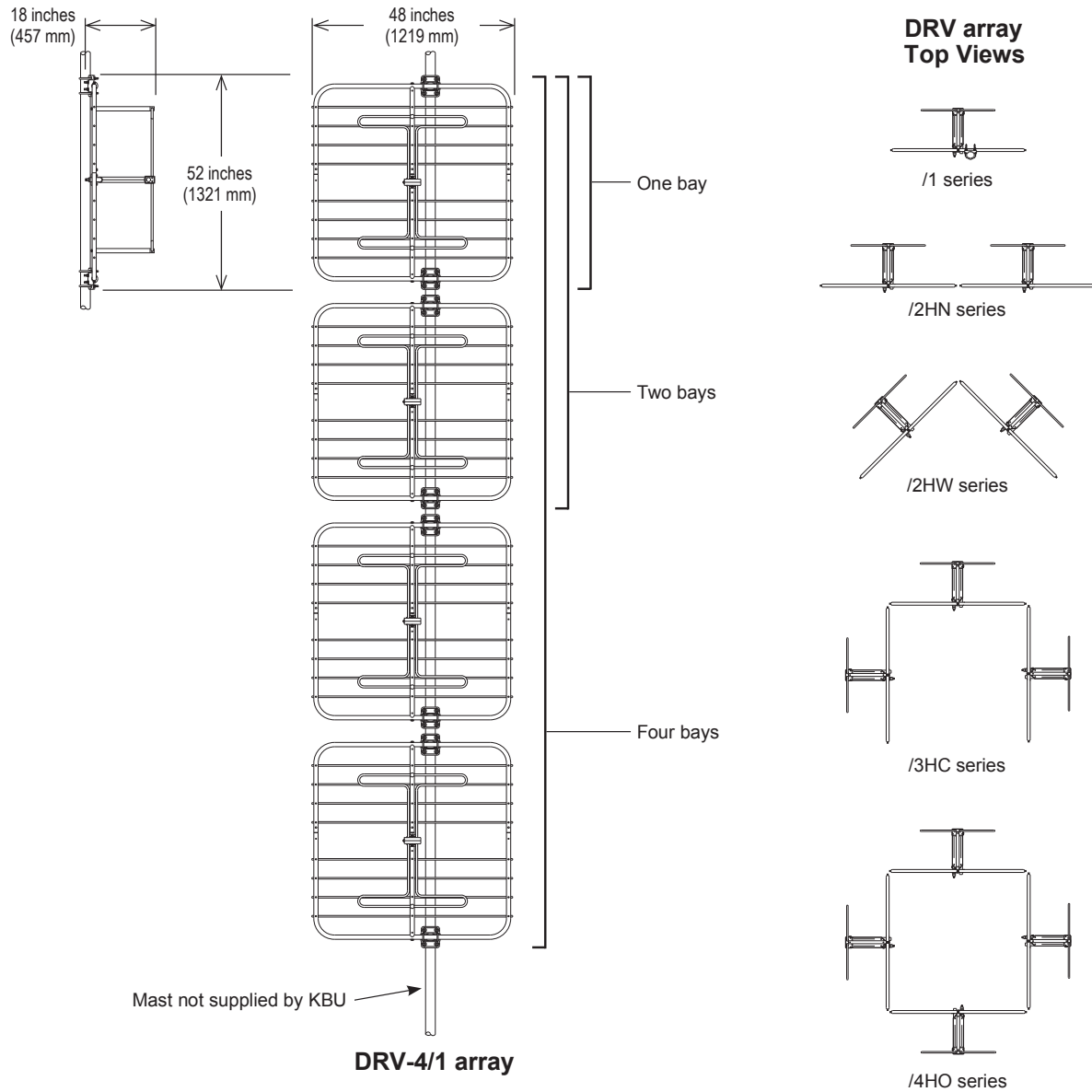
*Mechanical design is based on environmental conditions as stipulated in TIA-222-G-2 (December 2009) and/or ETS 300 019-1-4 which include the static mechanical load imposed on an antenna by wind at maximum velocity. See the Engineering Section of the catalog for further details.

Elevation patterns



30074a subject to alteration

All specifications are subject to change without notice.
The latest specifications are available at www.kathrein-bca.com



Order information

Model	Description
DRV (single panel)	Panel antenna for VHF-TV

30074a subject to alteration